

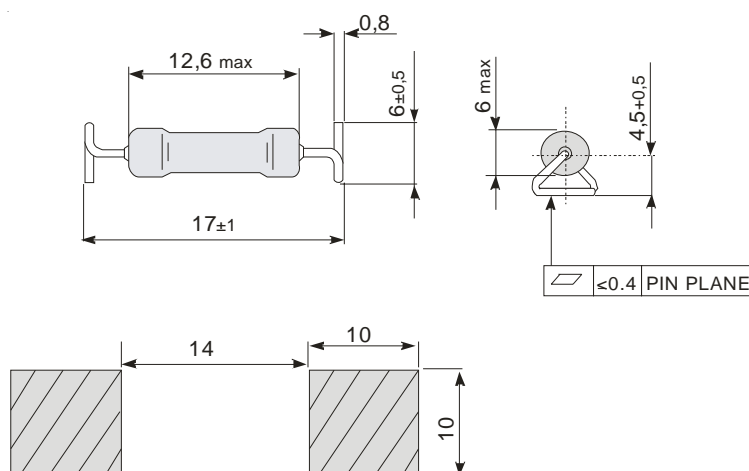
SMD Power Wirewound Resistors Flame retardant, safety version



Specifications

Type		RZF6720 SAFETY VERSION
Power rating P_{25} P_{40} P_{70}	W	2,2 2,0 1,6
Resistance range	Ω	see next page
Tolerances	%	± 5
Temperature coefficient	$10^{-6} * K^{-1}$	120 ± 50
max. cont. work. voltage	V_{RMS}	$\sqrt{P_{70} \cdot R}$
Insulation voltage (1min.)	V_{RMS}	max 75V
Insulation resistance		not insulated
Derating linear	$^{\circ}C$	25 ... 200 (0W)
Climatic category	$^{\circ}C$	55/200/56
Temperature range	$^{\circ}C$	- 55 ... 200
Thermal resistance	KW^{-1}	112
Failure rate (Total, J_0 , max., 60% conf. lev.)	$10^{-9} * h^{-1}$	appr. 100 depends on value
Endurance (P_{70} , $70^{\circ}C$, 1000h)	$\left[\frac{\Delta R}{R}\right] \%$	$\pm 5,0$ average
Damp heat, steady state ($40^{\circ}C$, 93% r.h., 56d)	$\left[\frac{\Delta R}{R}\right] \%$	$\pm 5,0$
Climatic sequence	$\left[\frac{\Delta R}{R}\right] \%$	$\pm 2,0$
Terminal strength	$\left[\frac{\Delta R}{R}\right] \%$	$\pm 0,2$
Terminal tensile strength	N	50
Resistance to soldering heat ($260^{\circ}C$, 10s)	$\left[\frac{\Delta R}{R}\right] \%$	$\pm 0,2$ typ.
Solderability	s	2,5 Flowtime; solderglobule test, IEC 60068-2-20-T
Marking		Printed in clear

Dimensions in mm



Type	Resistance range	
	Min.	Max.
RZF6720	* 1R	330R

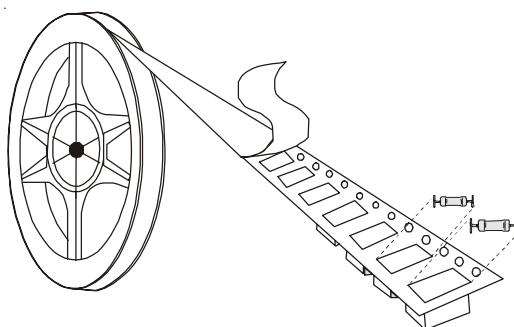
Note: The special construction of resistance values >10R results in an immediate interruption (<1s, 200ms typical) when mains voltage (220V/240V_{RMS}) is applied. No flames, no explosion. After fusing, the resistance value is >100KOhm.

For other voltages test suitability in the application!

* Resistance values < 10R are flame retardant.

The interruption mechanism is not clearly defined and has to be tested in the final application!

Packaging: Blistertape 24 mm antistatic / 900 pcs on reel 330 mm Ø



Ordering example: RZF6720 J K - 13 10R
 Type Tolerance blister tape reel TC reel diameter R-value