

Power Wirewound Resistors Non Flammable



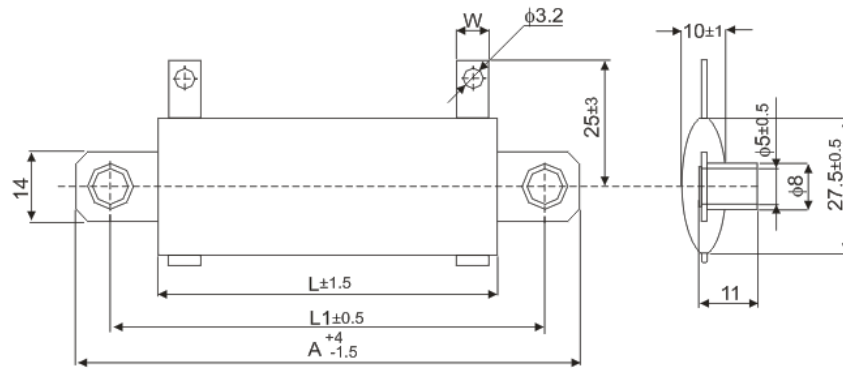
ELECTRICAL SPECIFICATIONS

Type		RXB20	RXB21	RXB22	RXB23	RXB24
Nominal Power rating P_{40}	[W]	30	40	55	70	95
Resistance range	Min	0R1	0R1	0R1	0R1	0R1
	Max	7K5	10K	30K	47K	60K
E-Series		E24				
Tolerances	± [%]	Rmin. ...Rmax.: ±10 R ≥ 1R: ±5				
Temperature range	[°C]	-55 ... +200				
Dielectric withstanding voltage <i>IEC115-1 clause 4.7 (1[<i>min</i>])</i>	[V] _{RMS}	1000				

PERFORMANCE DATA

Derating linear	[°C]	70...200 (0W)
Endurance <i>IEC60115-1 clause 4.25</i> <i>(P_{70}, @ 70[°C], 1000[h])</i>	± [%]	5,0
Flame retardant <i>(100 – 600[%]rated power load)</i>		No evidence of flaming or arcing
Short Time Overload <i>IEC60115-1 clause 4.13</i> <i>($U=1000\%*P_{40}$, 5 [s])</i>	± [%]	2
Temperature shock <i>IEC115-1 clause 4.19</i>	± [%]	2
Vibration <i>IEC60115-1 clause 4.22</i> <i>(1,5[mm] 10–55[Hz/1minute],X,Y,Z 2[h/each])</i>	± [%]	No damage
Resistance to soldering heat <i>IEC115-1 clause 4.18</i> <i>(350^{±5}[°C], 2[h])</i>	± [%]	2
Solderability <i>IEC 60068-2-20</i> <i>(270^{±10}[°C], 5^{±0.5}[s])</i>		Solder bath method (Min. 75% coverage)
Marking <i>IEC60062</i>		Printed in clear

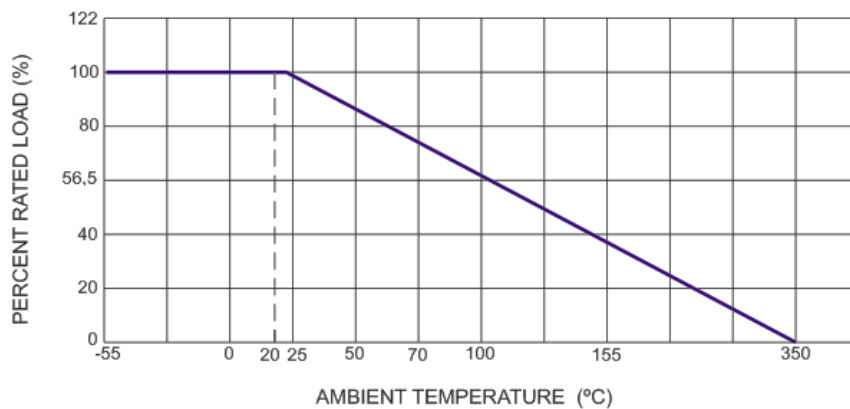
DIMENSIONS [mm]



Type	A	L ₁	L	W
RXB20	64	51	32	5
RXB21	83	70	51	5
RXB22	120	108	89	5
RXB23	152	140	120	6
RXB24	184	171	152	6

ELECTRICAL CHARACTERISTICS

Derating Curve



ORDERING EXAMPLE

RXB20	10	B	7K5
Type	Tolerance	Pack-Code	R-Value