

Power Shunt Resistors
Radial, current sensor
Open frame

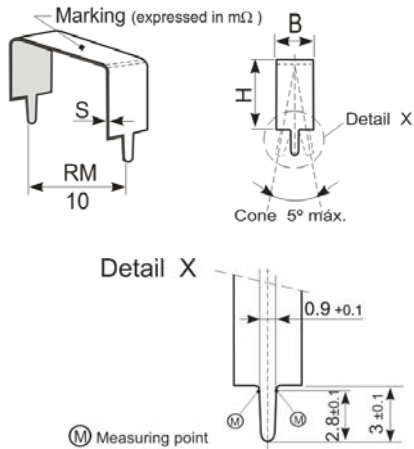


ELECTRICAL SPECIFICATIONS		
Type	* LPS 355-0, LPS 356-0, LPS 357-1 Special varieties 359-xxx	
<u>Style</u>		Existing styles upon request
<u>Nominal Power rating</u> P ₇₀	[W]	Depends on styles
<u>Resistance range</u>	[Ω]	0R0005 ... 0R068
<u>E-Series</u>		E24
<u>Tolerances</u>	± [%]	5 (others upon request)
<u>Temperature coefficient</u>	[10 ⁻⁶ *K ⁻¹]	-80 ... +40 / for CuNi44 (others upon request)
<u>Temperature range</u>	[°C]	-55 ... +300
<u>Thermal resistance</u>	[KW ⁻¹]	280°C/ P ₇₀
<u>Dielectric withstanding voltage</u> IEC115-1 clause 4.7 (1[<i>min</i>])	[V]	non insulated
<u>Max. working voltage</u>	[V] _{RMS}	$\sqrt{P_{70} * R}$

PERFORMANCE DATA		
<u>Derating linear</u>	[°C]	70...235 (0W)
<u>Climatic category</u>		55/350/56
<u>Failure Rate</u> (Total, ρ ₀ , max, 60% cont. lev.)	[10 ⁻⁹ h ⁻¹]	0,1
<u>Endurance</u> IEC60115-1 clause 4.25 (P ₇₀ , @ 70[°C], 1000[h])	± [%]	3,0
<u>Damp heat, steady state</u> IEC115-1 clause 4.24 (40[°C], 93[% r.h.], 56[d])	± [%]	0,5
<u>Climatic sequence</u> IEC115-1 clause 4.23	± [%]	0,5
<u>Terminal strength</u>	± [%]	n. a.
<u>Terminal Tensile Strength</u>	[N]	n. a.
<u>Resistance to soldering heat</u> IEC115-1 clause 4.12 (260[°C], 10[s])	± [%]	± 0,2
<u>Solderability</u> IEC 60068-2-20 (245 ⁺³ [°C] 3 ^{+0,3} [s])		Solder bath method (min. 95[%] coverage) Suitable for wave -soldering
<u>Marking</u> IEC60062		Value imprinted

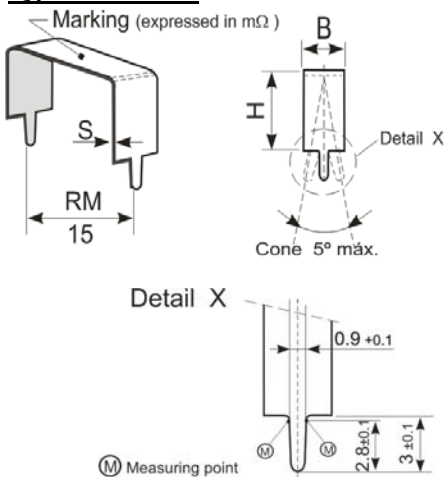
DIMENSIONS [mm]

Type LPS 355-0



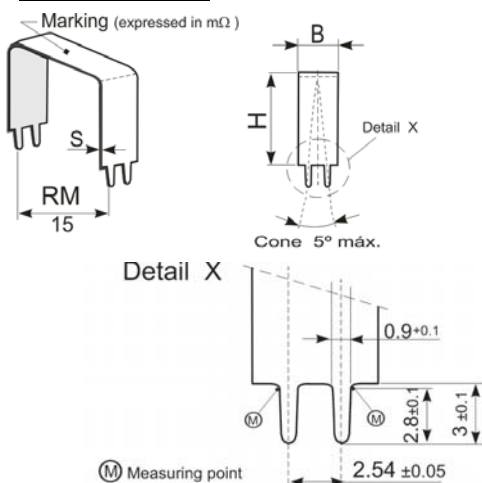
R-Value	Material	B	S	H max	Rated power [W] P _{70°C}
0R005	CuNi44	5	0,7	13,5	2,2
0R0068		4	0,8	17,5	2,1
0R01		4	0,5	16	2,0
0R015		4	0,3	14	1,8
0R022		4	0,2	14	1,8
0R033		3	0,2	16	1,5
0R047		2	0,2	15	1,0
0R051		2	0,2	16,5	1,0
0R068		2	0,2	23	1,4

Type LPS 356-0



R-Value	Material	B	S	H max	Rated power [W] P _{70°C}
0R005	CuNi44	5	0,7	11	2,2
0R0068		4	0,8	15	2,1
0R01		4	0,5	13,5	2,0
0R015		4	0,3	11,5	1,8
0R022		4	0,2	11,5	1,8
0R033		3	0,2	13,5	1,5
0R047		2	0,2	12,5	1,0
0R051		2	0,2	14	1,0
0R068		2	0,2	20,5	1,4

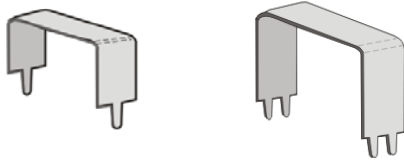
Type LPS 357-1



R-Value	Material	B	S	H max	Rated power [W] P _{70°C}
0R001	CuNi23Mn	10	0,8	11	3,7
0R0022		10	0,8	23	7,0
0R0033	CuNi44	10	0,5	13	4,6
0R005		5	0,8	14	2,6
0R0068		5	0,7	21	3,4
0R01		9	0,2	15	4,5
0R015		7	0,2	16,5	4,0
0R022		4	0,2	12,5	1,9
0R033		4	0,2	22	2,8

PACKAGING

The standard packaging for LPS type is bulk, packed in vacuum and depends on size and type



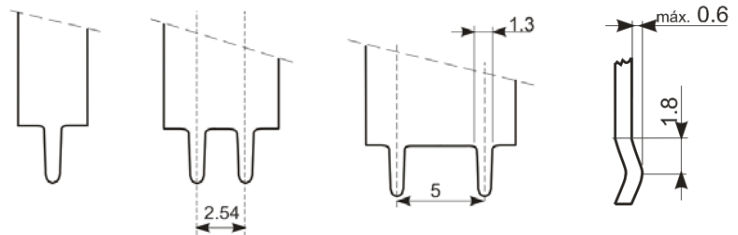
Type	Packaging	Pieces	Pack. Code
LPS355	Bulk	1000	B
LPS356	Bulk	1000	B
LPS357	Bulk	500	B

ALTERNATIVE LEAD CONFIGURATIONS



Detail X and XX

Detail XX



ORDERING EXAMPLE

LPS356-0	5	B	0R015
<i>Type</i>	<i>Tolerance</i>	<i>Pack-Code</i>	<i>R-Value</i>